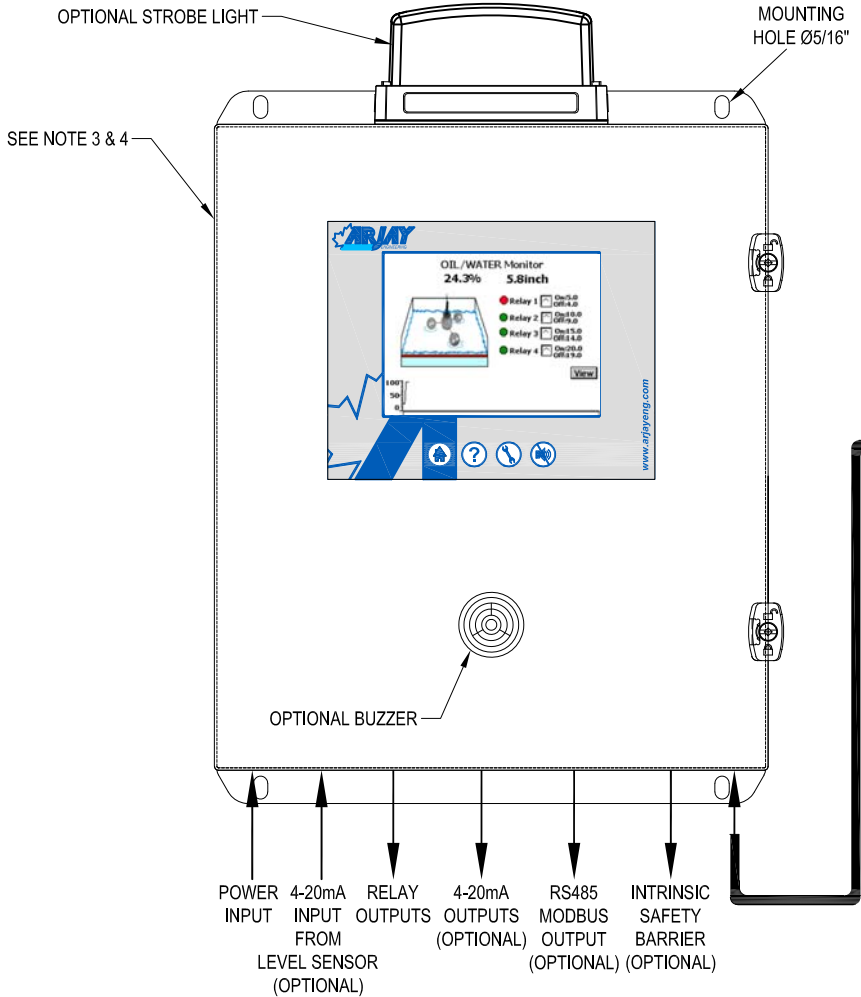
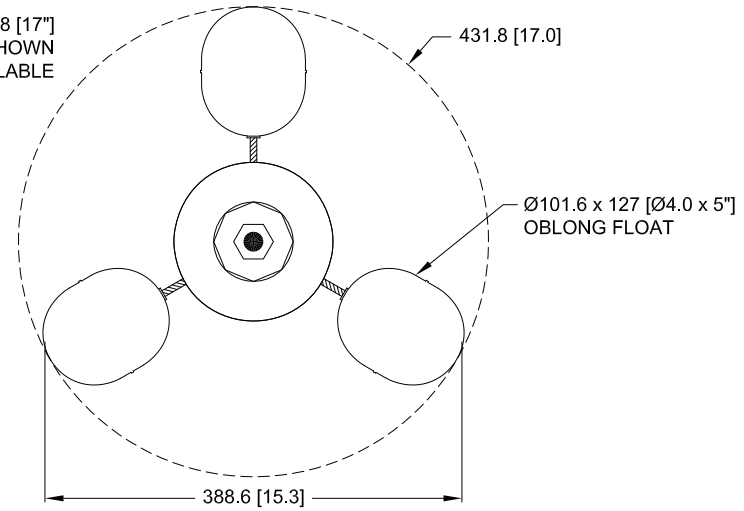


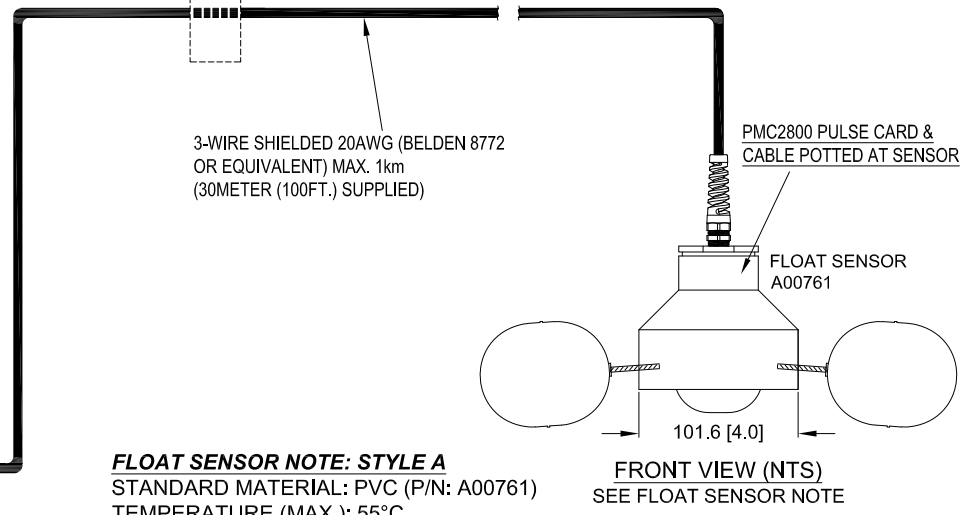
**FRONT VIEW (MAIN PANEL)**



CIRCULAR DIA. OF FLOAT SENSOR = 431.8 [17"]  
STANDARD SIZE SHOWN  
CUSTOM SIZES ARE AVAILABLE



SPLITTER BOX IF REQUIRED  
TO EXTEND CABLE  
(SUPPLIED BY CUSTOMER OR  
CONTRACTOR)



**FLOAT SENSOR NOTE: STYLE A**  
STANDARD MATERIAL: PVC (P/N: A00761)  
TEMPERATURE (MAX.): 55°C

**GENERAL NOTES:**

- 1) ALL DIMENSIONS ARE IN mm [inches]
- 2) ALL DIMENSION TOLERANCE +2mm (.08 INCHES)
- 3) STANDARD MAIN ENCLOSURE:
  - TYPE 4/IP66 BLUE PAINTED STEEL
  - ENCLOSURE DIMENSION: 355.6 X 304.8 X 152.4D (14 X 12 X 6D)
  - MOUNTING DIMENSION: 374.7 X 254.0 (14.75 x 10)
- 4) OPTIONAL MAIN ENCLOSURE:
  - TYPE 4X/IP66 BRUSHED 316SS
  - TYPE 4X/IP66 POLYCARBONATE

REV	DATE	DESCRIPTION	CHKD	APPD
REVISIONS				
<b>ARJAY</b> ENGINEERING		PROJECT		
DWG. STATUS	BY	DATE	TITLE	
DRAWN	F.H.	15/01/21	4100-HCF2 WITH STANDARD A00761 SENSOR FLOAT (POTTED PMC2800) DIMENSION & OVERVIEW DRAWING	
CHECKED				
APPROVED				
SCALE	REF. DWGS.	DWG. NO.	PART NO.	SHT. REV.
N.T.S.		20200750		1 0