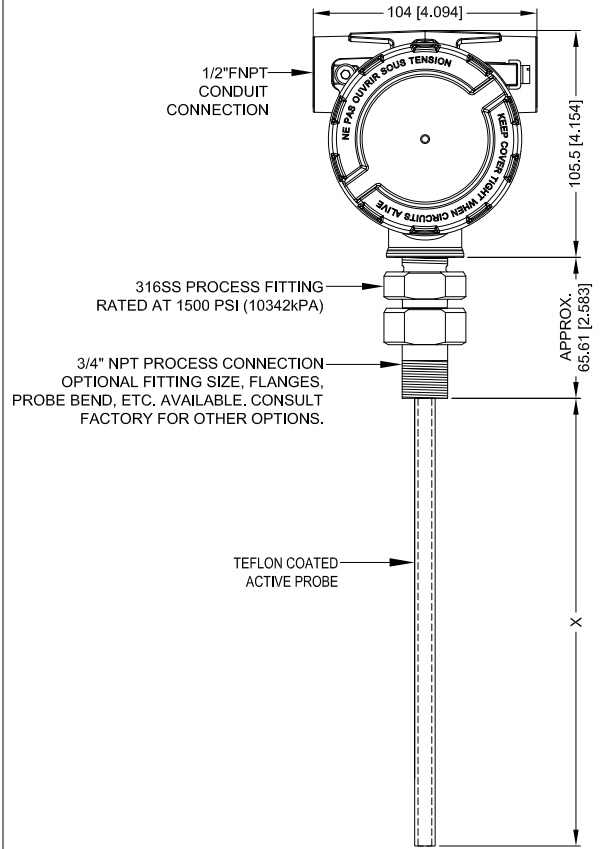


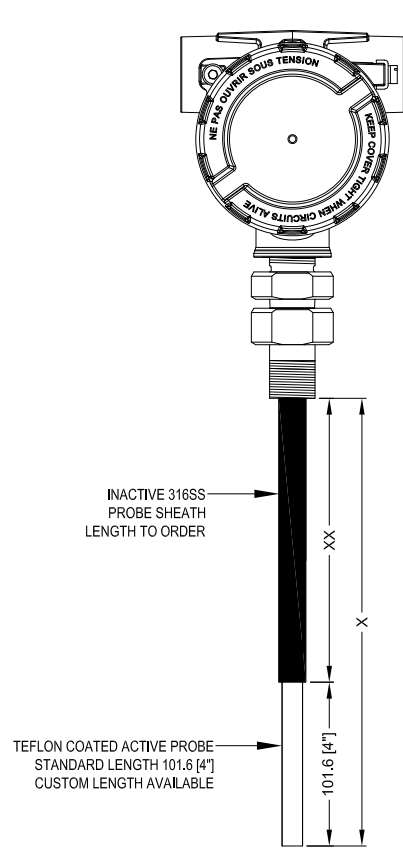
TYPICAL PART NUMBER:
PAA-Xmm-Z
Where:
X = Overall probe length

STANDARD PROBE



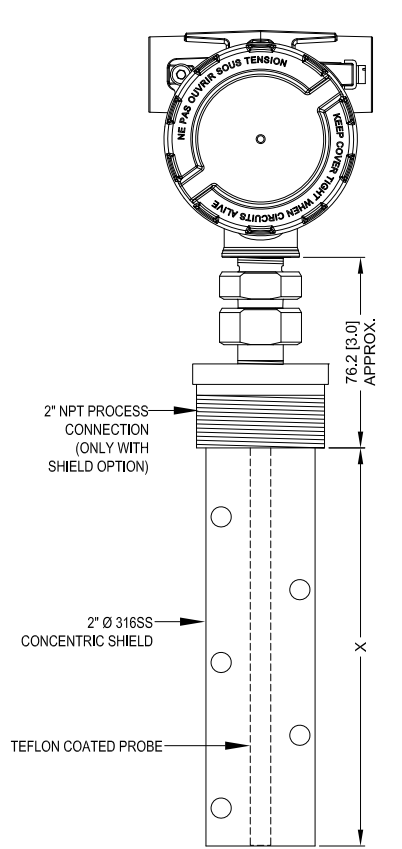
TYPICAL PART NUMBER:
PAA-Xmm-D(XXmm)-Z
Where:
X = Overall probe length
XX = Inactive probe sheath length

SHEATHED PROBE



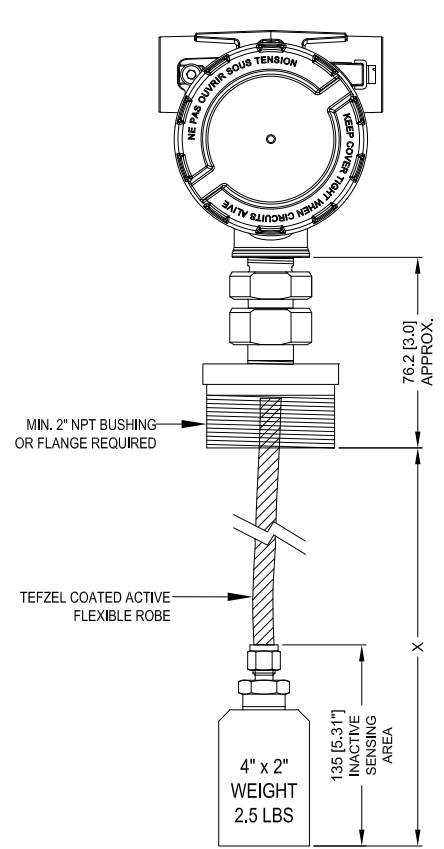
TYPICAL PART NUMBER:
PJA-Xmm-Z
Where:
X = Overall probe length

SHIELDED PROBE



TYPICAL PART NUMBER:
PHD-Xmm-J-Z
Where:
X = Overall probe length
J = 316SS Weight (2.5lb)

FLEXIBLE PROBE



GENERAL NOTES:

- DIMENSIONS ARE IN mm [inches].
- TOLERANCE +1mm (0.04 inches).
- PROBE HOUSING INFORMATION:
 - MATERIAL: TYPE 4X DIE-CAST ALUMINUM JUNCTION, PAINTED RAL 5015 SKY BLUE.
 - MODEL: LIMATHERM "XD-I80C".
 - OVERALL OUTSIDE DIMENSIONS: 104 X 105.5 X 95 (D) (4.09 X 4.15 X 3.74(D)).

CERTIFICATION:

PROCESS TEMPERATURE FOR THE STANDARD & HEAVY DUTY PROBES ARE -60°C to +200°C AND FOR FLEXIBLE PROBE IS -60°C to +100°C. IT IS END-USER'S RESPONSIBILITY TO ENSURE THAT AMBIENT TEMPERATURE AROUND THE CAPACITANCE CONTROLLER AND ARJAY PROBE HEAD DOES NOT EXCEED THE PERMITTED AMBIENT OF 55°C.

HAZARDOUS LOCATION RATING FOR NORTH AMERICA:

- Ex db IIC T5 Gb
- Class I, Zone 1, AEx db IIC T5 Gb

HAZARDOUS LOCATION RATING FOR INTERNATIONAL:

- II 2G Exd T5 Gb
- Sira 17ATEX2261X
- IECEx CSA 17.0019X

1	12/12/18	REVISED.		
REV	DATE	DESCRIPTION	CHKD	APPD
REVISIONS				
ARJAY ENGINEERING LIMITED			PROJECT	
TYPICAL P - SERIES PROBE OVERVIEW DRAWING				
DWG. STATUS	BY	DATE	TITLE	
DRAWN	F.H.	12/12/18	TYPICAL P - SERIES PROBE OVERVIEW DRAWING	
CHECKED				
APPROVED				
SCALE	REF. DWGS.	DWG. NO.	SHT.	REV.
N.T.S.		20180940	1	1