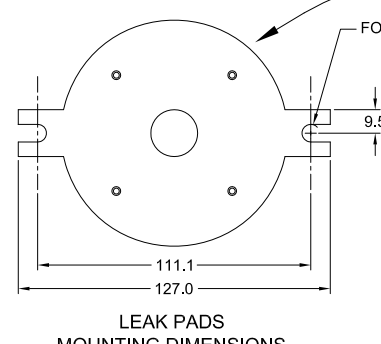
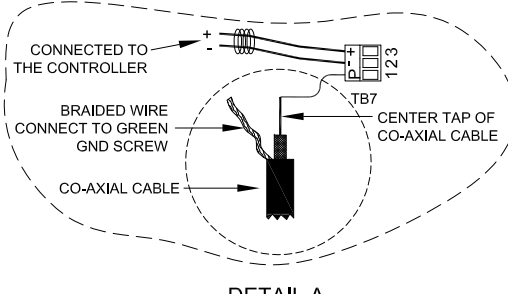
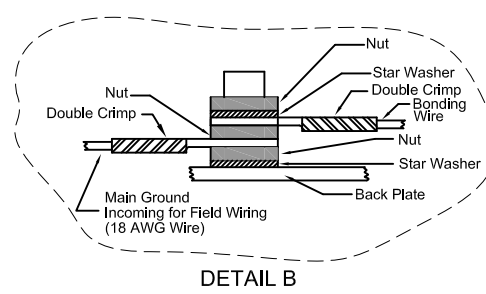


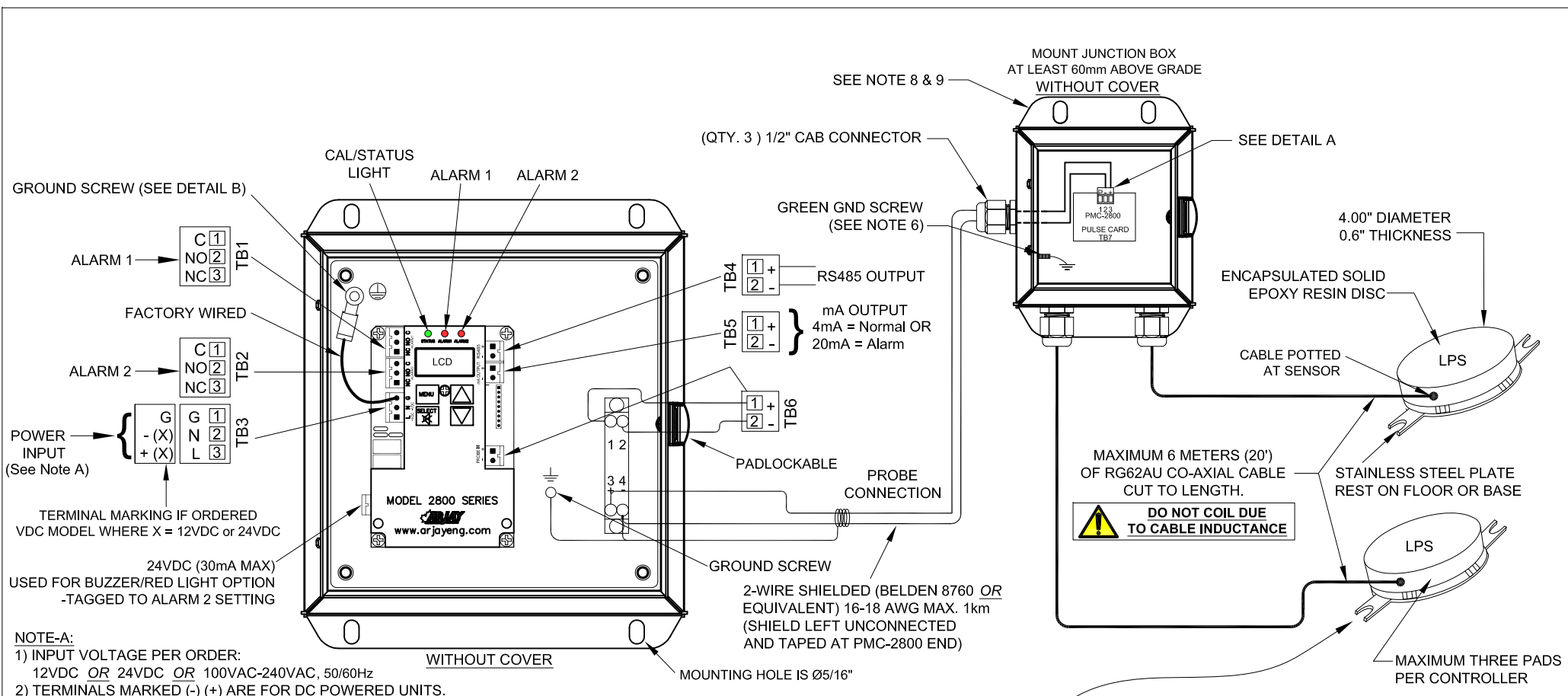
NOTE-A:
 1) INPUT VOLTAGE PER ORDER:
 12VDC OR 24VDC OR 100VAC-240VAC, 50/60Hz
 2) TERMINALS MARKED (-) (+) ARE FOR DC POWERED UNITS.



- NOTES:**
- 1) DIMENSIONS ARE IN mm [inches]
 - 2) POLYESTER POWDER BLUE (RAL5015) PAINT.
 - 3) ENCLOSURE IS A EXM ESCH080804
 - 4) ENCLOSURE DIMENSIONS ARE 203.2 X 203.2 X 101.6D (8 X 8 X 4D)
 - 5) ENCLOSURE MOUNTING DIMENSIONS ARE 222.25 X 152.4 (8.75 X 6)
 - 6) MAKE SURE JUNCTION BOX IS ELECTRICAL GROUNDED VIA TANK (IF GROUNDED OR SEPARATE GND WIRE).
 - 7) TYPE 4X POLYCARBONATE ENCLOSURE (OPTIONAL) - MOUNTING FEET DIMENSION 222.25 x 101.6 (8.75 x 4)
 - 8) ENCLOSURE IS A EXM ESCH040403. ENCLOSURE DIMENSIONS ARE 101.6 X 101.6 X 76.2D (4 X 4 X 3D)
 - 9) ENCLOSURE MOUNTING DIMENSIONS ARE 120.65 X 50.8 (4.75 x 2.00)

REV	DATE	DESCRIPTION	CHK'D	APP'D
6	03/07/14	ADDED PADS MOUNTING DIMENSIONS.		
5	02/07/13	REVISED DETAIL A & ADDED WARNING SYMBOL FOR "DO NOT COIL"		
4	12/10/12	REVISED LEAK PAD SENSOR (ADDED MOUNTING FEET)		
3	09/28/12	REVISED "DO NOT COIL NOTE"		
2	09/04/12	REVISED NOTE: -TAGGED TO ALARM 2 SETTING		

		ARJAY ENGINEERING LIMITED		PROJECT: LEAK PAD SENSOR	
2852-LPS DIMENSIONAL & ELECTRICAL DRAWING					
DWG. STATUS	BY	D	DATE	TITLE	
DRAWN	F.H.	03	11 10		
CHECKED					
APPROVED					
SCALE	REF. DWGS.	DWG. NO.		SHT.	REV.
N.T.S.		20100740		1	6



GROUND SCREW (SEE DETAIL B)

CAL/STATUS LIGHT

ALARM 1

ALARM 2

FACTORY WIRED

POWER INPUT (See Note A)

ALARM 1 → C 1 NO 2 NC 3 TB1

ALARM 2 → C 1 NO 2 NC 3 TB2

POWER INPUT → G - (X) G N 1 L 2 L 3 TB3

TERMINAL MARKING IF ORDERED VDC MODEL WHERE X = 12VDC or 24VDC

24VDC (30mA MAX) USED FOR BUZZER/RED LIGHT OPTION -TAGGED TO ALARM 2 SETTING

(QTY. 3) 1/2" CAB CONNECTOR

GREEN GND SCREW (SEE NOTE 6)

TB4 1 2 - RS485 OUTPUT

TB5 1 2 - mA OUTPUT
4mA = Normal OR
20mA = Alarm

TB6 1 2 -

PADLOCKABLE

PROBE CONNECTION

GROUND SCREW

2-WIRE SHIELDED (BELDEN 8760 OR EQUIVALENT) 16-18 AWG MAX. 1km (SHIELD LEFT UNCONNECTED AND TAPED AT PMC-2800 END)

MOUNTING HOLE IS Ø5/16"

MOUNT JUNCTION BOX AT LEAST 60mm ABOVE GRADE WITHOUT COVER

SEE NOTE 8 & 9

SEE DETAIL A

4.00" DIAMETER 0.6" THICKNESS

ENCAPSULATED SOLID EPOXY RESIN DISC

CABLE POTTED AT SENSOR

LPS

STAINLESS STEEL PLATE REST ON FLOOR OR BASE

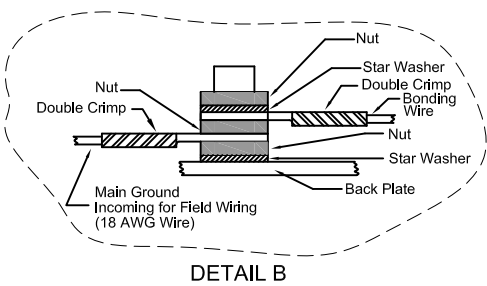
LPS

MAXIMUM THREE PADS PER CONTROLLER

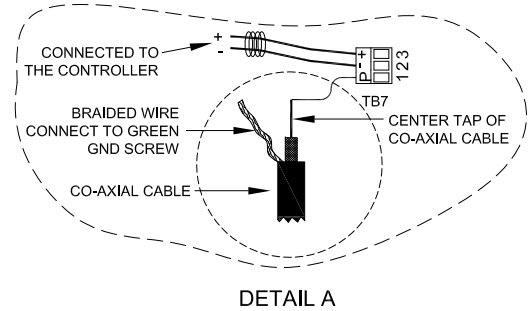
MAXIMUM 6 METERS (20') OF RG62AU CO-AXIAL CABLE CUT TO LENGTH.

DO NOT COIL DUE TO CABLE INDUCTANCE

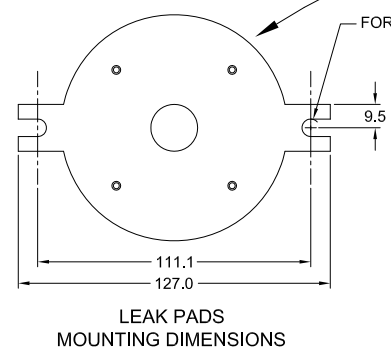
NOTE-A:
 1) INPUT VOLTAGE PER ORDER: 12VDC OR 24VDC OR 100VAC-240VAC, 50/60Hz
 2) TERMINALS MARKED (-) (+) ARE FOR DC POWERED UNITS.



DETAIL B



DETAIL A



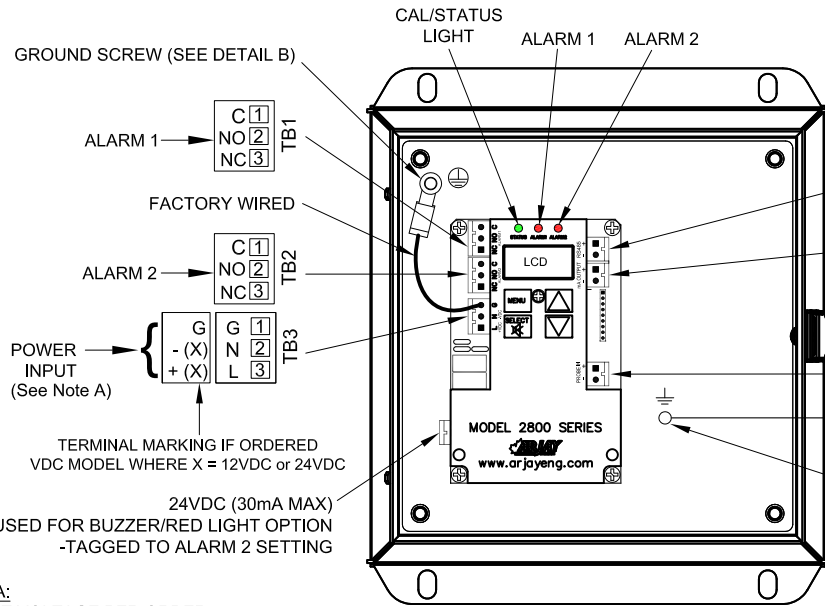
LEAK PADS MOUNTING DIMENSIONS

6	03/07/14	ADDED PADS MOUNTING DIMENSIONS.		
5	02/07/13	REVISED DETAIL A & ADDED WARNING SYMBOL FOR "DO NOT COIL"		
4	12/10/12	REVISED LEAK PAD SENSOR (ADDED MOUNTING FEET)		
3	09/28/12	REVISED "DO NOT COIL NOTE"		
2	09/04/12	REVISED NOTE: -TAGGED TO ALARM 2 SETTING		
REV	DATE	DESCRIPTION	CHK'D	APP'D

NOTES:
 1) DIMENSIONS ARE IN mm [inches]
 2) POLYESTER POWDER BLUE (RAL5015) PAINT.
 3) ENCLOSURE IS A EXM ESCH080804
 4) ENCLOSURE DIMENSIONS ARE 203.2 X 203.2 X 101.6D (8 X 8 X 4D)
 5) ENCLOSURE MOUNTING DIMENSIONS ARE 222.25 X 152.4 (8.75 x 6)
 6) MAKE SURE JUNCTION BOX IS ELECTRICAL GROUNDED VIA TANK (IF GROUNDED OR SEPARATE GND WIRE).
 7) TYPE 4X POLYCARBONATE ENCLOSURE (OPTIONAL) - MOUNTING FEET DIMENSION 222.25 x 101.6 (8.75 x 4)
 8) ENCLOSURE IS A EXM ESCH040403. ENCLOSURE DIMENSIONS ARE 101.6 X 101.6 X 76.2D (4 X 4 X 3D)
 9) ENCLOSURE MOUNTING DIMENSIONS ARE 120.65 X 50.8 (4.75 x 2.00)

		ARJAY ENGINEERING LIMITED	PROJECT: LEAK PAD SENSOR WITH INTRINSIC SAFETY
DWG. STATUS	BY	DATE	TITLE
DRAWN	F.H.	03 11 10	2852-LPS WITH INTRINSIC SAFETY (IS) DIMENSIONAL & ELECTRICAL DRAWING
CHECKED			
APPROVED			
SCALE	REF. DWGS.	DWG. NO.	SHT. REV.
N.T.S.		20100741	1 6

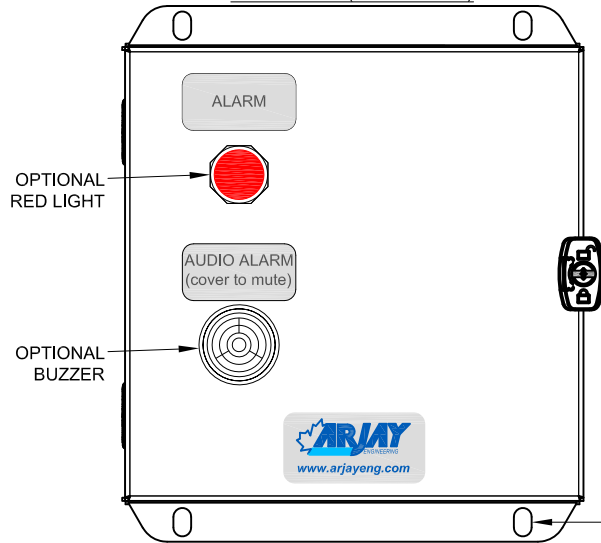
MAIN ENCLOSURE
FRONT VIEW (WITHOUT COVER)



NOTE-A:

- INPUT VOLTAGE PER ORDER:
12VDC OR 24VDC OR 100VAC-240VAC, 50/60Hz
- TERMINALS MARKED (-) (+) ARE FOR DC POWERED UNITS.

MAIN ENCLOSURE
FRONT VIEW (WITH COVER)



NOTES:

- DIMENSIONS ARE IN mm [inches]
- POLYESTER POWDER BLUE (RAL5015) PAINT.
- ENCLOSURE IS A EXM ESCH080804.
- ENCLOSURE DIMENSIONS ARE 203.2 X 203.2 X 101.6D (8 X 8 X 4D).
- ENCLOSURE MOUNTING DIMENSIONS ARE 222.25 X 152.4 (8.75 X 6).
- MAKE SURE JUNCTION BOX IS ELECTRICAL GROUNDED VIA TANK (IF GROUNDED OR SEPARATE GND WIRE).
- TYPE 4X POLYCARBONATE ENCLOSURE (OPTIONAL). MOUNTING DIMENSION 222.25 x 101.6 (8.75 x 4).

SEE DETAIL A
1/2" FEMALE
CONDUIT CONNECTION

TB4 (1+, 2-) RS485 OUTPUT

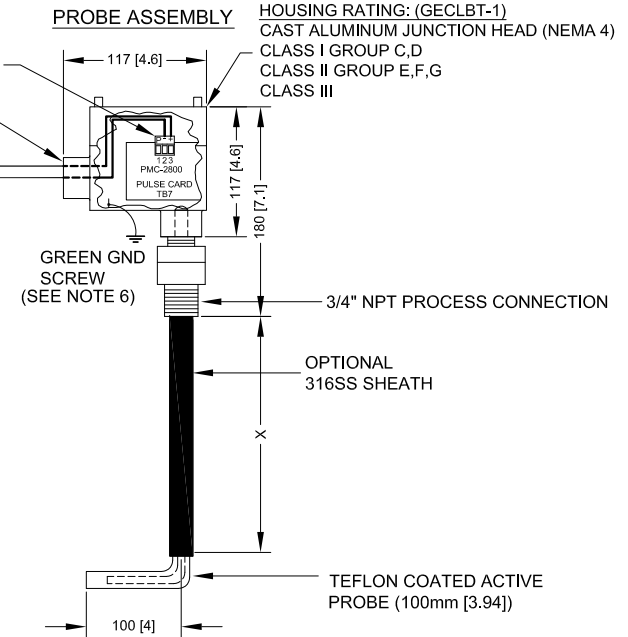
TB5 (1+, 2-) mA OUTPUT
4mA = Normal OR
20mA = Alarm

TB6 (1+, 2-) PROBE CONNECTION

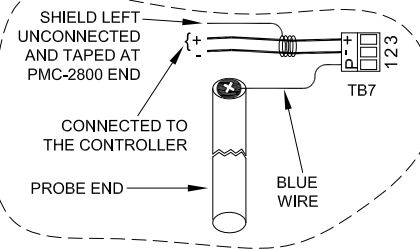
GROUND SCREW

2-WIRE SHIELDED (BELDEN 8760 OR
EQUIVALENT) 16-18 AWG MAX. 1km
(SHIELD LEFT UNCONNECTED
AND TAPED AT PMC-2800 END)

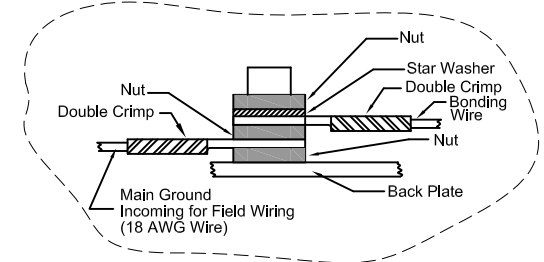
PROBE ASSEMBLY



WHERE "X" IS LENGTH - SPECIFIED BY CUSTOMER



DETAIL A



DETAIL B

REV	DATE	DESCRIPTION	CHK'D	APP'D
REVISIONS				
		ARJAY ENGINEERING LIMITED	PROJECT: LPS WITH RIGID PROBE	
DWG. STATUS: DRAWN: CHECKED: APPROVED:	BY: F.H.	DATE: 03/11/10	TITLE: 2852-LPS WITH RIGID PROBE DIMENSIONAL & ELECTRICAL DRAWING	
SCALE: N.T.S.	REF. DWG.:	DWG. NO. 20100742	SHT. 1	REV. 0