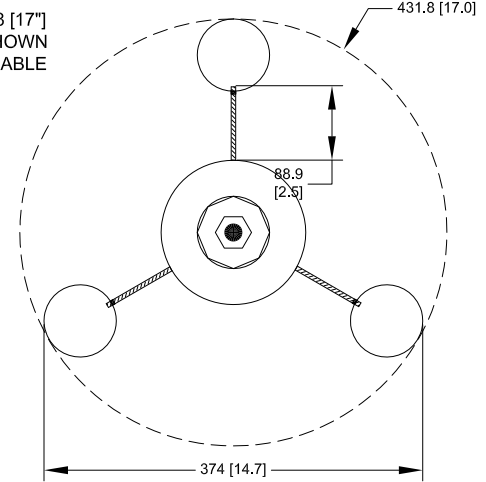
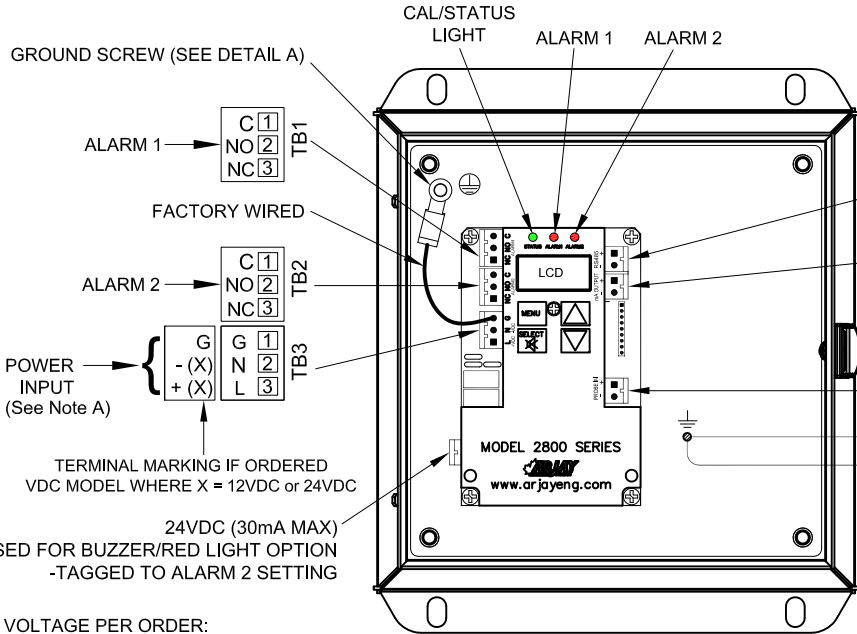


MAIN ENCLOSURE
FRONT VIEW (WITHOUT COVER)

CIRCULAR DIA. OF FLOAT SENSOR = 431.8 [17"]
STANDARD SIZE SHOWN
CUSTOM SIZES ARE AVAILABLE



GROUND SCREW (SEE DETAIL A)

ALARM 1 → C 1
NO 2
NC 3 TB1

FACTORY WIRED

ALARM 2 → C 1
NO 2
NC 3 TB2

POWER INPUT (See Note A)

G 1
N 2
L 3 TB3

TERMINAL MARKING IF ORDERED
VDC MODEL WHERE X = 12VDC OR 24VDC

24VDC (30mA MAX)
USED FOR BUZZER/RED LIGHT OPTION
-TAGGED TO ALARM 2 SETTING

TB4 1+ 2- RS485 OUTPUT

TB5 1+ 2- mA OUTPUT
4mA = Normal OR
20mA = Alarm

SPLITTER BOX IF REQUIRED
TO EXTEND CABLE
(SUPPLIED BY CUSTOMER OR
CONTRACTOR)

TB6 1+ 2- PROBE CONNECTION

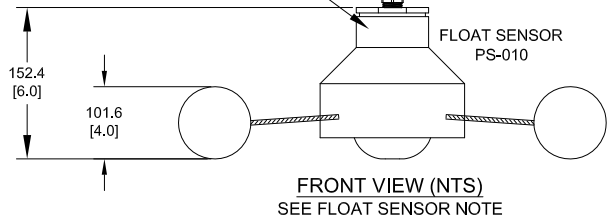
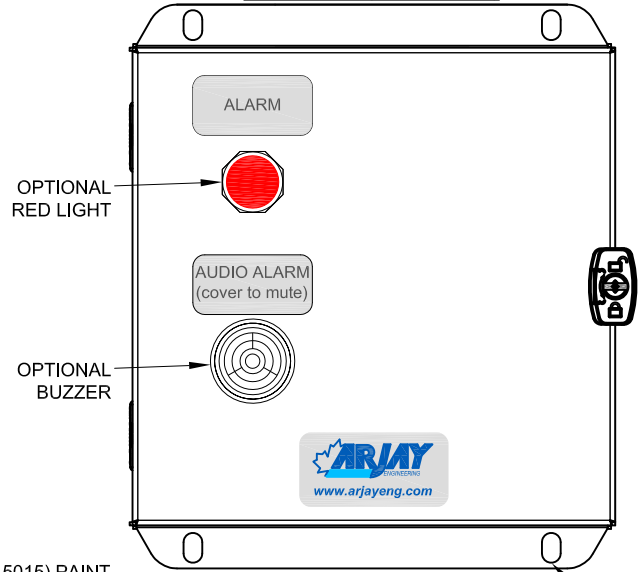
3-WIRE SHIELDED 20AWG (BELDEN 8772
OR EQUIVALENT) MAX. 1km
(30METER SUPPLIED)

BLACK RED CLEAR

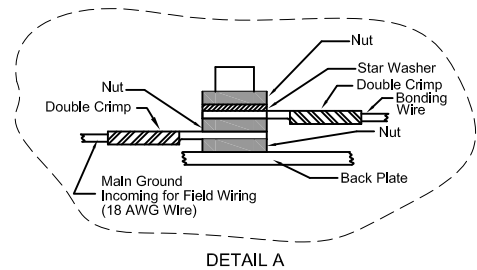
PMC-2800 PULSE CARD &
CABLE POTTED AT SENSOR

NOTE-A:
1) INPUT VOLTAGE PER ORDER:
12VDC OR 24VDC OR 100VAC-240VAC, 50/60Hz
2) TERMINALS MARKED (-) (+) ARE FOR DC POWERED UNITS.

MAIN ENCLOSURE
FRONT VIEW (WITH COVER)



FLOAT SENSOR NOTE: STYLE A
STANDARD MATERIAL: PVC (P/N: A00761) (60°C MAX.)
OPTIONAL MATERIALS: KYNAR (149°C MAX.)
POLYPROPYLENE (80°C MAX.)



NOTES:
1) DIMENSIONS ARE IN mm [inches]
2) POLYESTER POWDER BLUE (RAL5015) PAINT.
3) ENCLOSURE IS A EXM ESCH080804.
4) ENCLOSURE DIMENSIONS ARE 203.2 X 203.2 X 101.6D (8 X 8 X 4D).
5) ENCLOSURE MOUNTING DIMENSIONS ARE 222.25 X 152.4 (8.75 X 6).
6) TYPE 4X POLYCARBONATE ENCLOSURE (OPTIONAL).
- MOUNTING DIMENSION 222.25 x 101.6 (8.75 x 4).

MOUNTING HOLE IS Ø5/16"

REV	DATE	DESCRIPTION	CHK'D	APP'D
4	12/08/15	Updated.		
3	12/01/14	Added Enclosure front View with Cover.		
2	30/09/13	Circular diameter of float changed to 17"		
1	19/09/13	Revised		

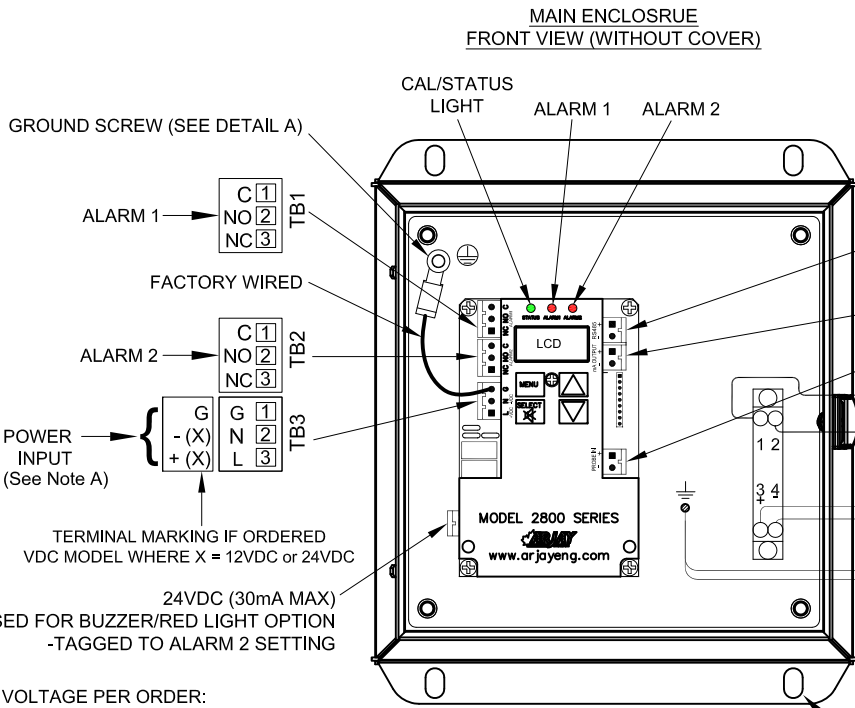
REVISIONS

ARJAY ENGINEERING LIMITED

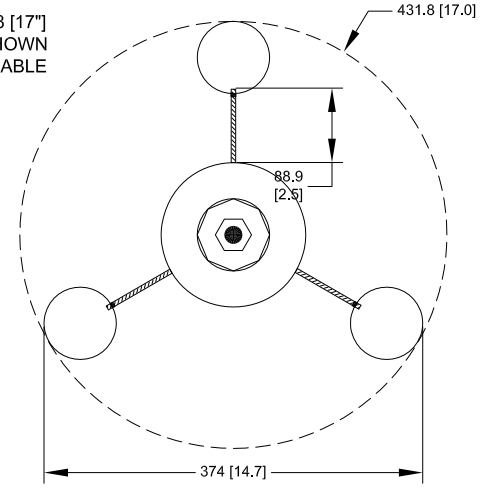
PROJECT: HYDROCARBON FLOAT SENSOR

2852-HCF WITH A00761 FLOAT WITH POTTED PMC-2800 DIMENSIONAL & ELECTRICAL DRAWING

DWG. STATUS	BY	DATE	TITLE	DWG. NO.	SHT.	REV.
	F.H.	29/07/13		20130760	1	4



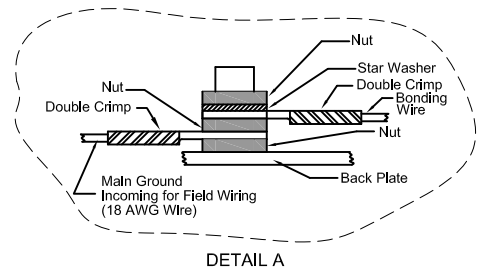
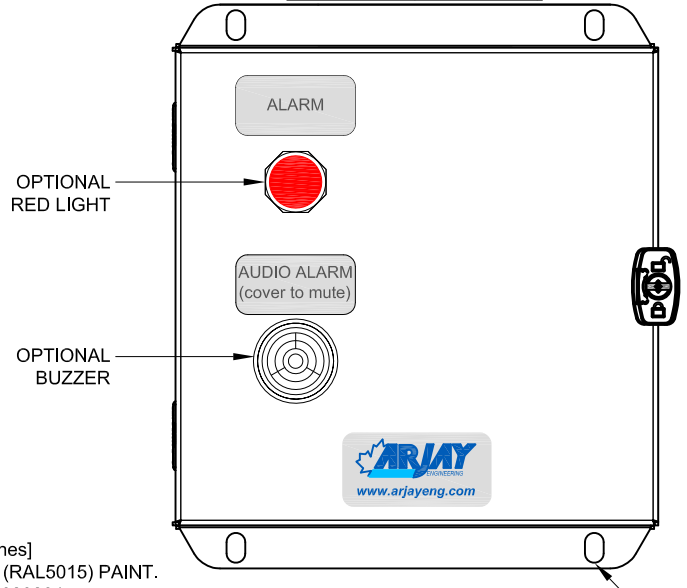
CIRCULAR DIA. OF FLOAT SENSOR = 431.8 [17"]
STANDARD SIZE SHOWN
CUSTOM SIZES ARE AVAILABLE



NOTE-A:
1) INPUT VOLTAGE PER ORDER:
12VDC OR 24VDC OR 100VAC-240VAC, 50/60Hz
2) TERMINALS MARKED (-) (+) ARE FOR DC POWERED UNITS.

24VDC (30mA MAX)
USED FOR BUZZER/RED LIGHT OPTION
-TAGGED TO ALARM 2 SETTING

MAIN ENCLOSURE FRONT VIEW (WITH COVER)



FRONT VIEW (NTS) SEE FLOAT SENSOR NOTE

FLOAT SENSOR NOTE: STYLE A
STANDARD MATERIAL: PVC (P/N: A00761) (60°C MAX.)
OPTIONAL MATERIALS: KYNAR (149°C MAX.)
POLYPROPYLENE (80°C MAX.)

NOTES:
1) DIMENSIONS ARE IN mm [inches]
2) POLYESTER POWDER BLUE (RAL5015) PAINT.
3) ENCLOSURE IS A EXM ESCH080804.
4) ENCLOSURE DIMENSIONS ARE 203.2 X 203.2 X 101.6D (8 X 8 X 4D).
5) ENCLOSURE MOUNTING DIMENSIONS ARE 222.25 X 152.4 (8.75 X 6).
6) TYPE 4X POLYCARBONATE ENCLOSURE (OPTIONAL).
- MOUNTING DIMENSION 222.25 x 101.6 (8.75 x 4).

MOUNTING HOLE IS Ø5/16"

REV	DATE	DESCRIPTION	CHK'D	APP'D
4	12/08/15	Updated.		
3	12/01/14	Added Enclosure front View with Cover.		
2	30/09/13	Circular diameter of float changed to 17"		
1	19/09/13	Revised		

REVISIONS

PROJECT: HYDROCARBON FLOAT SENSOR

ARJAY ENGINEERING LIMITED

TITLE: 2852-HCF WITH A00761 FLOAT & INTRINSIC SAFETY (IS) DIMENSIONAL & ELECTRICAL DRAWING

DWG. STATUS	BY	DATE	TITLE
DRAWN	F.H.	29/07/13	2852-HCF WITH A00761 FLOAT & INTRINSIC SAFETY (IS) DIMENSIONAL & ELECTRICAL DRAWING
CHECKED			
APPROVED			

SCALE: N.T.S. REF. DWGS. DWG. NO. 20130761 SHT. 1 REV. 4