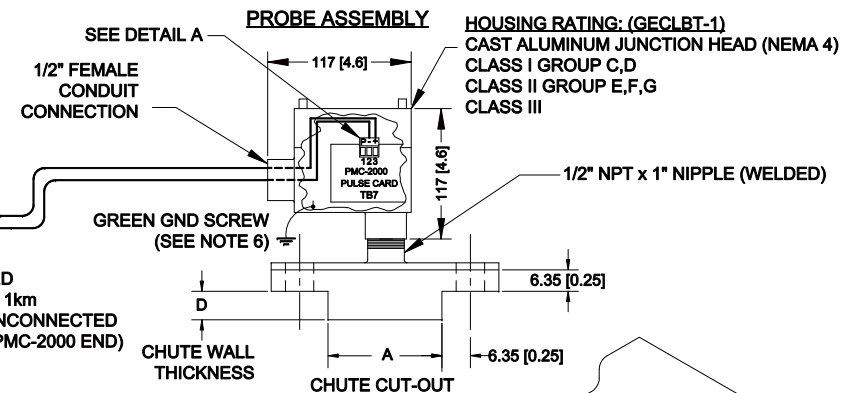
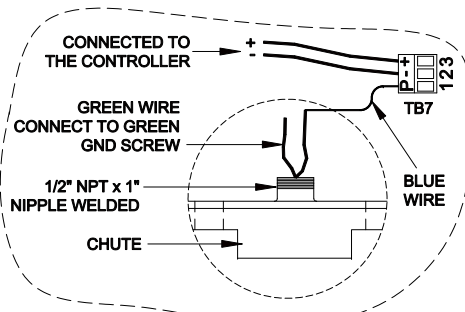
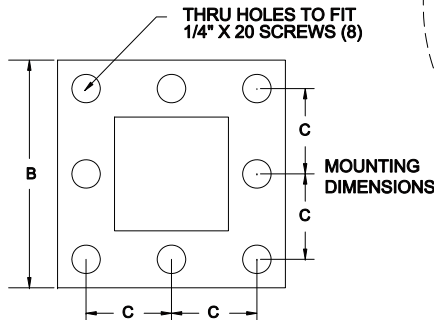
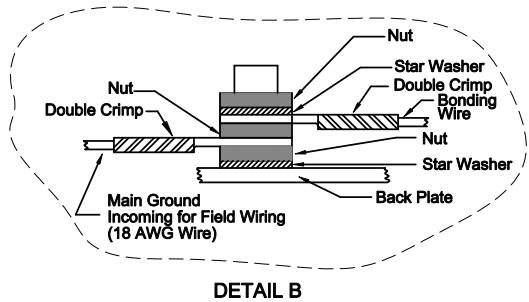


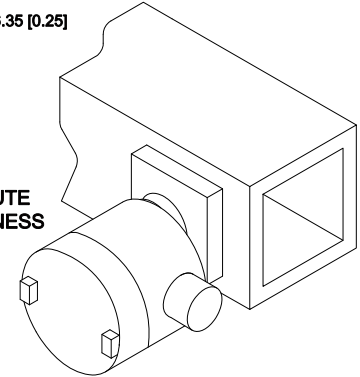
SELECTION GUIDE				
DIMENSION	STANDARD MODELS			CUSTOM
	Dimensions A,B,C are fixed Customer selects ALL Chute Thickness (D)			Customer selects ALL dimensions (A,B,C,D)
ALL DIMENSIONS ARE IN INCHES	F-4	F-6	F-8	
CHUTE CUTOUT (A)	4	6	8	
OVERALL SIZE (B)	5	7	9	
MOUNTING HOLES (C)	2.25	3.25	4.25	
CHUTE THICKNESS (D)	MUST BE SPECIFIED AT ORDER			



**NOTE-A:**  
INPUT VOLTAGE PER ORDER  
24VDC OR 100VAC-240VAC  
TERMINALS MARKED (-) (+) ARE  
FOR DC POWERED UNITS



**SPECIFY CHUTE WALL THICKNESS**



- NOTES:**
- 1) DIMENSIONS ARE IN mm [inches]
  - 2) POLYESTER POWDER BLUE (RAL5015) PAINT.
  - 3) ENCLOSURE IS A EXM ESCH080804
  - 4) ENCLOSURE DIMENSIONS ARE 203.2 X 203.2 X 101.6D (8 X 8 X 4D)
  - 5) ENCLOSURE MOUNTING DIMENSIONS ARE 222.25 X 152.4 (8.75 x 6)
  - 6) MAKE SURE JUNCTION BOX IS ELECTRICAL GROUNDED VIA TANK (IF GROUNDED OR SEPARATE GND WIRE).
  - 7) TYPE 4X POLYCARBONATE ENCLOSURE (OPTIONAL) - MOUNTING FEET DIMENSION 222.25 x 101.6 (8.75 x 4)

REV	DATE	DESCRIPTION	CHK'D	APP'D
REVISIONS				
		<b>PROJECT:</b> ARJAY ENGINEERING LIMITED PLUGGED CHUTE DETECTOR		
DWG. STATUS	BY	DATE	TITLE	
DRAWN	F.H.	03/11/10	2852-PCD DIMENSIONAL & ELECTRICAL DRAWING	
CHECKED				
APPROVED				
SCALE	REF. DWGS.	DWG. NO.	SHT.	REV.
N.T.S.		20100760	1	0