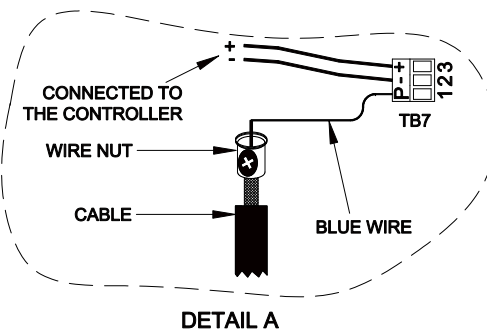
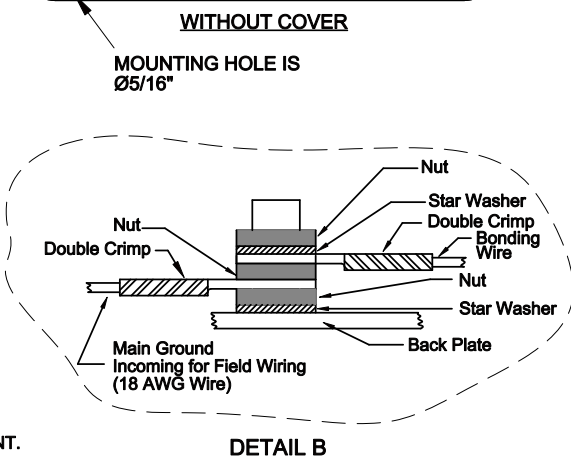


NOTE-A:
 INPUT VOLTAGE PER ORDER
 24VDC OR 100VAC-240VAC
 TERMINALS MARKED (-) (+) ARE
 FOR DC POWERED UNITS



- NOTES:**
- 1) DIMENSIONS ARE IN mm [inches]
 - 2) POLYESTER POWDER BLUE (RAL5015) PAINT.
 - 3) ENCLOSURE IS A EXM ESCH080804
 - 4) ENCLOSURE DIMENSIONS ARE 203.2 X 203.2 X 101.6D (8 X 8 X 4D)
 - 5) ENCLOSURE MOUNTING DIMENSIONS ARE 222.25 X 152.4 (8.75 x 6)
 - 6) MAKE SURE JUNCTION BOX IS ELECTRICAL GROUNDED VIA TANK (IF GROUNDED OR SEPARATE GND WIRE).
 - 7) TYPE 4X POLYCARBONATE ENCLOSURE (OPTIONAL) - MOUNTING FEET DIMENSION 222.25 x 101.6 (8.75 x 4)

REV	DATE	DESCRIPTION	CHK'D	APP'D
REVISIONS				
			PROJECT: INTERSTITIAL LEAK ALARM	
DWG. STATUS	BY	DATE	TITLE	
DRAWN	F.H.	03 11 10	2852-ILA DIMENSIONAL & ELECTRICAL DRAWING	
CHECKED				
APPROVED				
SCALE	REF. DWGS.	DWG. NO.	SHT.	REV.
N.T.S.		20100730	1	0